

HOW TO MEASURE LEG-HOLD TRAPS

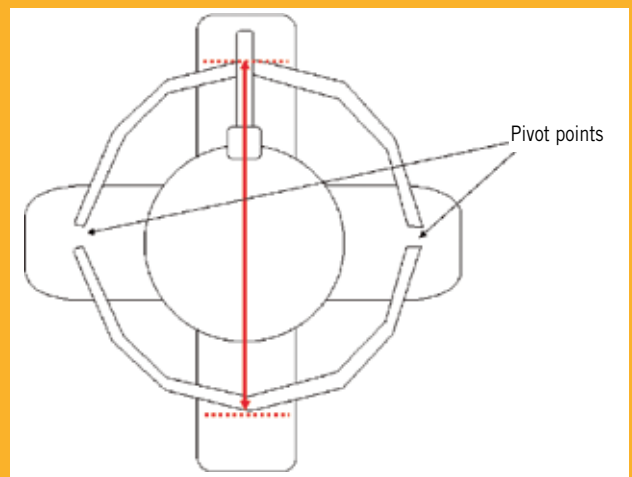
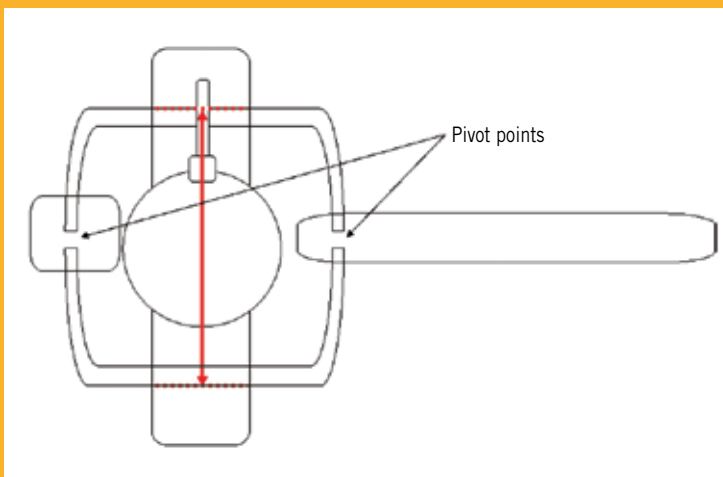
This information will help you safely and correctly measure a leg-hold trap to see whether it is allowed under the Animal Welfare (Leg-hold Traps) Order 2007.

How to measure traps

If traps have a size stamped on them, this will tell you if they are allowed or not.

If traps do not have a size stamped on them, they should be measured at the widest point across the open jaws, at right angles to the pivot points (hinges).

The measurement should be taken from the outside edges of the jaws



To avoid the risk of serious injury when measuring traps, it is recommended that they are made safe before measuring.

- Traps measuring less than 10.5 cm are smaller than size 1½.
- Traps measuring from 10.5 cm to 13.5 cm, are size 1½.
- Traps measuring more than 13.5 cm are larger than size 1½.

Please note this information is provided by way of general guidance only and does not constitute legal advice. Parties are advised to seek independent legal advice in relation to particular fact situations.

March 2010